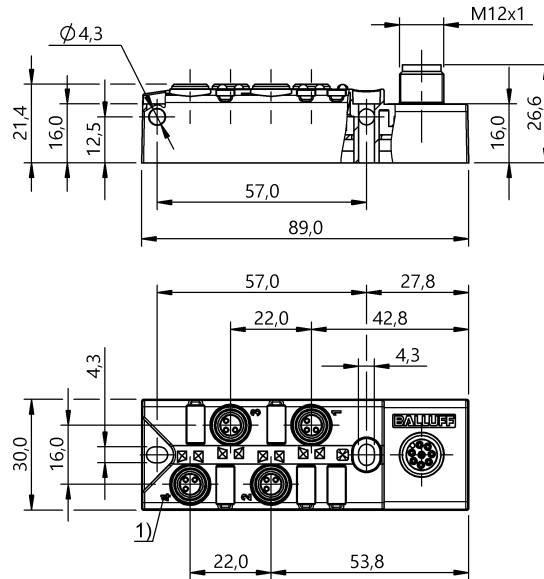


Junction blocks  
**BPI 4M3030-5K-B0-SM48T**  
 Order Code: BPI00HA

# BALLUFF



1) Slot numbering



### Basic features

<b>Approval/Conformity</b>	CE UKCA cULus WEEE
<b>Scope of delivery</b>	Part labels (11x) Cover cap (3x)

### Electrical connection

<b>Connection slots</b>	4x M8x1-Female, 3-pin
-------------------------	-----------------------

### Electrical data

<b>Isolation resistance</b>	≥ 10 GOhm
<b>Operating voltage <math>U_b</math></b>	10...30 VDC/10...30 VAC
<b>Output current max.</b>	2 A
<b>Rated operating voltage <math>U_e</math> DC</b>	24 V
<b>Total current max.</b>	2.0 A

### Environmental conditions

<b>Ambient temperature</b>	-25...80 °C
<b>IP rating</b>	IP67, when threaded in

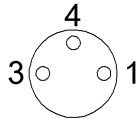
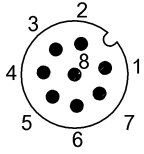
### Material

<b>Housing material</b>	PBT, GF
<b>Material contact carrier</b>	PBT
<b>Material contacts</b>	Bronze (CuSn6), nickel layer

### Mechanical data

<b>Casting</b>	yes
<b>Dimension</b>	89 x 30 x 26.6 mm
<b>Mounting part</b>	M4 (2x)
<b>Tightening torque</b>	1.2 Nm ±0.2 (M4)
<b>Tightening torque pigtail</b>	0.4 Nm + 0.1 Nm (M8 connector)

## Connector Drawings



I/O ports  
PIN 1: +24V  
PIN 3: 0V  
PIN 4: signal

## Wiring Diagrams

